

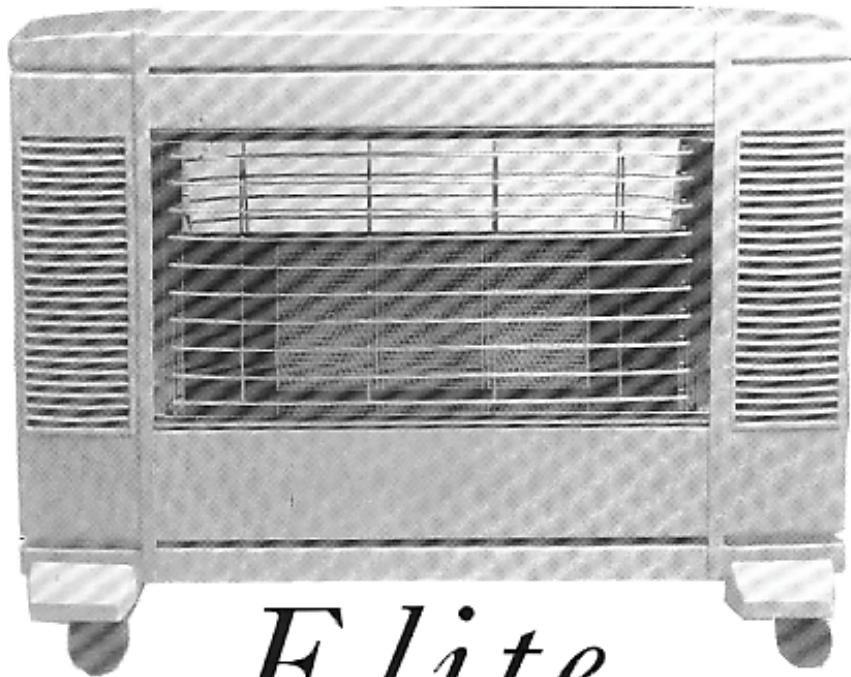


BONAIRE

MAKING LIFE COMFORTABLE

OPERATING INSTRUCTIONS

INCLUDING INSTALLATION AND SERVICE



Elite

**RADIANT CONVECTIVE
FLUELESS SPACE HEATERS**

Pt. No. 3762202/D

CONGRATULATIONS ON YOUR CHOICE

We're delighted you've chosen Bonaire to heat your home. It's a heater we're very proud of.

Designed and made in Australia it embodies the latest advances in gas heating technology in a new stylish slimline cabinet.

Your Bonaire heater is backed by the resources of Bonaire Pyrox - Australia's most advanced manufacturer of a complete range of climate control products.

INFORMATION

The information contained in the following pages has been prepared to ensure you enjoy trouble free operation of your Bonaire heater.

The Bonaire heater you have purchased is a flueless radiant convective model. It must be installed in accordance with the manufacturer's instructions, local gas fitting regulations, uniform building regulations, municipal building codes, the A.G.A. installation code for gas burning appliances and equipment, and any other relevant statutory regulations.

DATA LOCATION

The data label located on the underside of the heater carries detail of model number, finish code and gas type. The heater serial number is also included on this label.

GAS TYPE:

Is indicated on the data label and on the temporary gas type label on the rear of the heater.

CLEARANCE:

Minimum clearances are shown on the label on the outside of the heater and the safety precautions on page 5. Do not build this heater into walls, bookcases or any other such structure.

WIRING DIAGRAM:

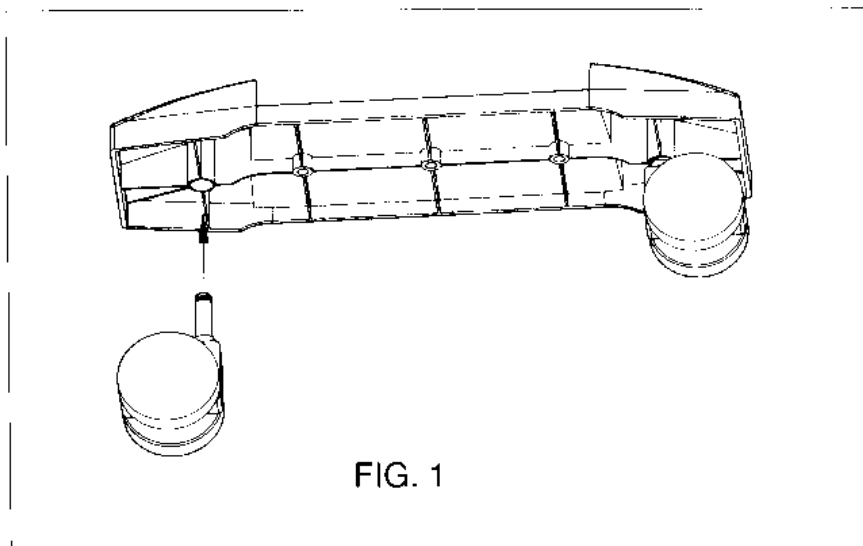
The wiring diagram with electrical rating is on the underside of the heater. Details also on page 12.

CONTENTS

Congratulations	2	Service	10
Information	2	Access to Internal Components	11
Fixing Castors	3	Wiring Diagram	12
Connections	4	Model Data	12
Safety	4,5	Warranty Statement	13
Location of Controls	4	Warranty Detail	14
Starting your Bonaire Heater	6	Service and spare Parts	14
Heating Control & Fan	7	Proof of Purchase	14
Cleaning	8	Warranty Registration	15
Problem/Remedy Chart	9		

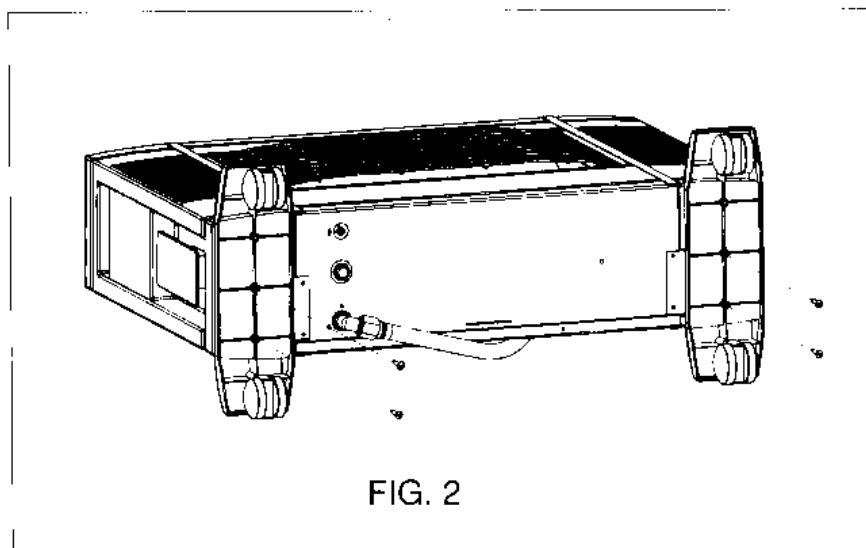
FIXING CASTORS

Packed with the heater are two trolley feet, four castors and four screws. Assemble 2 castors (push fit) into each trolley foot (Fig. 1).



Lay the heater on its back on a bench or table (Fig. 2) with the base of the heater overhanging. Make sure that the gas hose and plastic clips are not damaged and that no undue pressure is applied to the gas inlet connection.

Fix the trolley feet into position. Firmly tighten each of the four screws.



CONNECTIONS

ELECTRICAL CONNECTION

The heater power cord is designed to plug into a 240 volt 50Hz AC 10 ampere wall socket. The power cord exits from the left hand side of the heater where a recessed cord tidy is located (an alternative exit point is located on the right hand side and can be used if the heater is wall mounted, but this will require dismantling of the heater during installation).

GAS CONNECTION

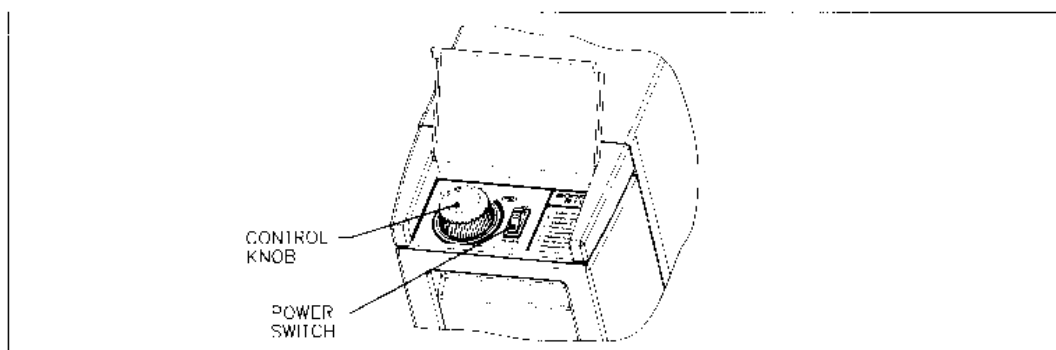
A flexible gas hose fitted with a bayonet inlet connection is provided on the heater. To connect the heater, grip the knurled ring on the end of the hose and insert it fully into the gas supply socket and turn it clockwise. **DO NOT ATTEMPT TO CHANGE THE POSITION OF THE GAS INLET ELBOW OR USE A DIFFERENT GAS HOSE TO THE ONE PROVIDED. YOU MAY CREATE A HAZARDOUS SITUATION AND WILL INVALIDATE YOUR WARRANTY.**

TO DISCONNECT

Push the knurled ring into the gas socket and turn it anticlockwise. It can then be removed.

LOCATION OF CONTROLS

All controls are mounted on the top of the heater.



SAFETY FEATURES

FLAME FAILURE DEVICE

Your Bonaire heater is fitted with a flame failure device.

This device automatically cuts off the gas supply in the event of flame failure for any reason.

OXYGEN DEPLETION SAFETY DEVICE

Your Bonaire heater is fitted with an oxygen depletion safety device.

If the oxygen level in a room is depleted for any reason this device causes the gas valve to close well in advance of poor combustion occurring.

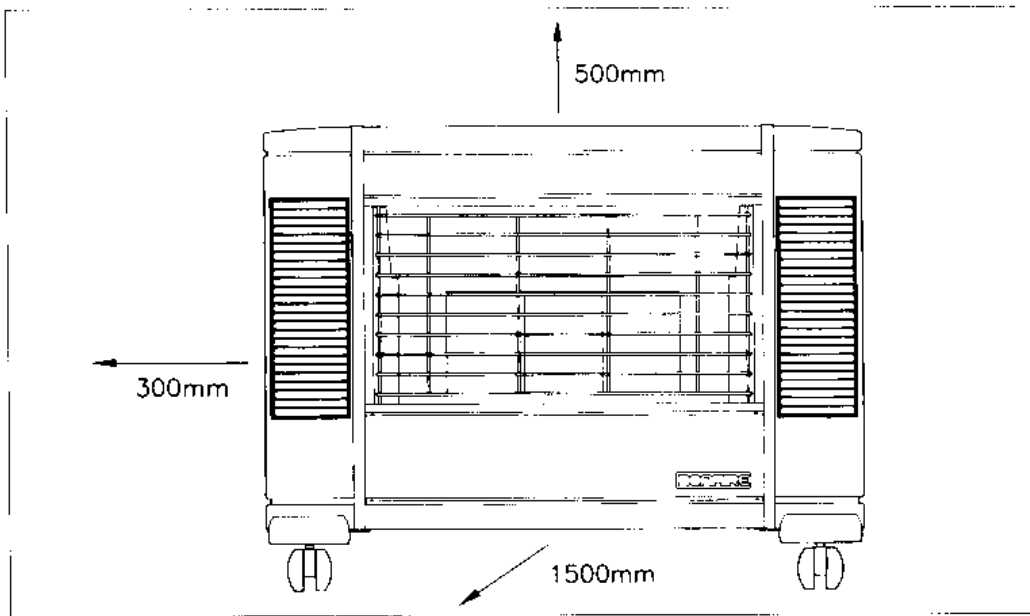
TILT SWITCH

Your Bonaire heater is fitted with a tilt switch.

If the heater is moved whilst in operation or accidentally knocked over the tilt switch will cut the gas supply.

SAFETY PRECAUTIONS

- Do not place articles on or against this heater.
- Do not spray aerosols in the vicinity of this heater while it is in operation.
- Do not use or store flammable materials near this heater.
- Do not operate this heater near curtains or strong draughts.
- The guard on this heater conforms to A.G.A. requirements. The guard is to prevent risk of fire or injury from burns and no part of it should be permanently removed. It does not give full protection for young children or the infirm.
- Maintain clearances of 1500mm in front, 500mm above and 300mm to the left and right of the heater (see diagram below).



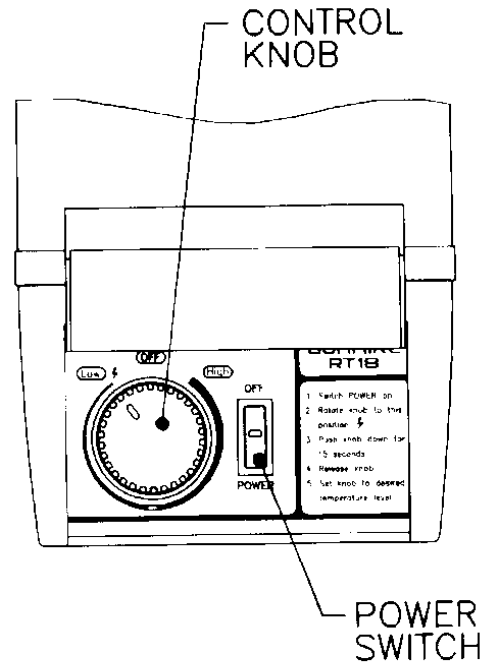
HEATER DIMENSIONS

	HEIGHT		WIDTH	DEPTH	
	WITH TROLLEY	W/OUT TROLLEY		WITH TROLLEY	W/OUT TROLLEY
2 BURNER	560	490	635	315	180
3 BURNER	560	490	730	315	180

NOTE: ALL DIMENSIONS IN MILLIMETRES

STARTING YOUR BONAIRE HEATER

1. Connect gas hose to floor or wall mounted gas outlet socket.
2. Connect electrical plug into a 240volt 50Hz 10Amp power socket.
3. Lift control lid and switch power on (neon will light).
4. Rotate the control knob to the ignition position shown and fully depress the knob until ignition occurs.
5. Once pilot and centre burner has lit (3 burner models) or pilot and left hand burner has lit (2 burner models) continue to depress the control knob for approximately 15 seconds.
6. If the burners fail to stay alight after the control knob is released, rotate the knob to the off position, a distinct 'click' will be heard, and wait for approximately 60 seconds before attempting to relight the heater.



NOTE ON STARTING YOUR BONAIRE HEATER

1. If the heater has just been connected to the gas or not used for some time, it may not start the first time because of air in the gas line. It will then be necessary to repeat the starting procedure.
2. In the event of failure of the electronic igniter (power supply must be available) the burner may be lit directly, by removing the dress guard (refer page 8 Cleaning). Push the control knob down fully and light the MIDDLE burner and pilot (3 burner models) or LH burner and pilot (2 burner models) with matches or a lighter whilst continuing to hold the knob down for approximately 15 seconds after ignition occurs, then release. (Replace the dress guard once ignition is established).

If electronic igniter failure occurs contact Bonaire service.

POWER SUPPLY INTERRUPTION

If power supply is interrupted (due to a supply failure or switching off at the power point) the unit will operate for approximately 60 seconds and then shut off.

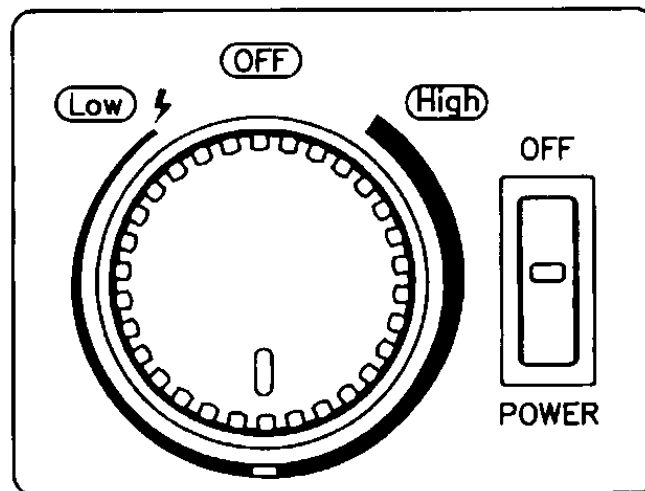
HEATING CONTROL

This heater is automatically controlled by a built in thermostat which regulates the number of burners in operation.

The temperature at which the thermostat operates is set by the rotation of the control knob anticlockwise (the burner adjacent to the pilot is not controlled by the thermostat). The break in the band surrounding the control knob indicates "normal" operating position.

The actual normal operating position will vary depending on room size, heater location, outside weather conditions and personal preferences. When increasing or decreasing the room temperature turn the control knob in small steps, allowing at least 15 minutes for the thermostat to adjust and the room temperature to stabilise before deciding whether a further adjustment should be made.

NOTE: The pilot always operates when any of the main burners are operating. The pilot is off when none of the burners are operating.



FAN OPERATION

The fan has two operating speeds, which are selected automatically. When the power switch is turned on the fan will initially operate on low speed. The fan will automatically switch to high speed when all burners are operating and will return to low speed when the desired room temperature is achieved.

STOPPING YOUR BONAIRE HEATER

Rotate the control knob clockwise to the off position, (do not depress the knob when turning the heater off) a distinct 'click' will be heard, switch power off.

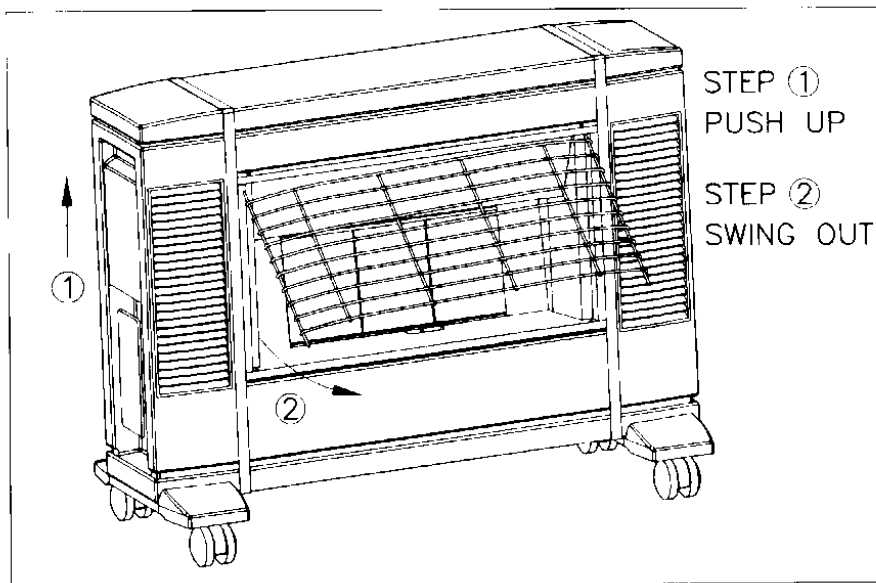
CLEANING

OUTSIDE.

Turn the heater off and isolate it from electric power supply by disconnecting the electrical power plug. Clean all external parts with a soft damp cloth. **DO NOT USE SOLVENTS OR SCOURERS.**

REFLECTORS.

Turn heater off and isolate from electric power supply by disconnecting the electrical power plug. Allow heater to cool then lift wire dress guard vertically. Lift dress guard pins clear of the bottom reflector and pull the dress guard forwards and down disengaging the upper pins of the dress guard from the upper reflector. Clean the reflector with a soft damp cloth. Do not use scourers. Replace dress guard.



IMPORTANT

This product warranted by Bonaire Pyrox has undergone extensive testing at all stages of manufacture to ensure that it conforms to specification.

Before requesting a service call check the following which are not covered by warranty:

1. That all relevant services (electricity, gas) have been connected and turned on.
2. That the product has been installed correctly to Bonaire Pyrox specifications.
3. That the product has been commissioned correctly by the installer.
4. That the operating instructions have been correctly followed.

Should a service call be made by Bonaire Pyrox or an approved Bonaire Pyrox service agent that is not warranty related a service charge will apply.

REFER TO THIS PROBLEM REMEDY CHART BEFORE MAKING A SERVICE CALL

Check the problem remedy chart closely. A service call may be unnecessary. Quote the model number indicated on the control panel or data label.

CAUSE	NO IGNITION	PILOT WILL NOT STAY ON	TURNS OFF BY ITSELF	SMELLS OF GAS	BURNERS NOT LIGHTING	LONG FLAMES ABOVE BURNER	FAN WILL NOT RUN	BURNERS DULL	YELLOW PILOT FLAME	SOLUTION
POWER FAILURE	●		●				●			WAIT UNTIL POWER ON.
GAS PRESSURE INCORRECT		●	●	●		●		●	●	CONTACT BONAIRE PYROX SERVICE CENTRE
GAS LINE BLOCKED				●	●	●		●	●	AS ABOVE
INCORRECT BURNER AERATION				●	●	●		●	●	AS ABOVE
SPARK SYSTEM DAMAGED	●			●						AS ABOVE
AIR IN GAS LINE		●								STOP AND RESTART UNTIL AIR CLEAR.
INSUFFICIENT DOWNWARD FORCE ON CONTROL KNOB		●								READ STARTING INSTRUCTIONS.
NOT ENOUGH AIR			●			●				SWITCH HEATER OFF. VENTILATE ROOM. CONTACT BONAIRE PYROX SERVICE CENTRE

Work will not be covered by warranty if there is nothing wrong with the heater or if defective operation is caused by failure of gas or electricity supply.

SERVICING

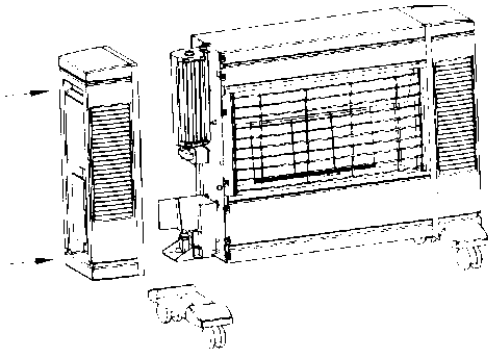
SERVICE

Should be carried out by an authorised person only. Contact your nearest Bonaire Pyrox service centre.

CLEANING FAN

Disconnect 240 volt power at the power supply socket.
The fan is located in the left hand end of the heater.

ACCESS FOR CLEANING



- Remove left hand side trolley foot by unscrewing 2 securing screws.
- Remove left hand end cap by unscrewing top and bottom fixing screws and sliding away from the heater.

Use a vacuum cleaner to clean fan wheel blades. Rotate fan wheel while cleaning to ensure all fluff and dust is removed. Be very careful not to bend or damaged the fan wheel blades. Replace the end cap and trolley foot with fixing screws.

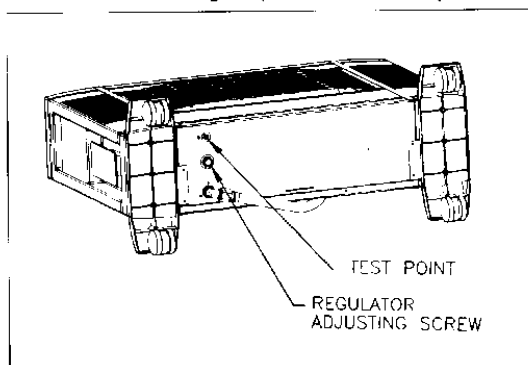
SETTING GAS PRESSURE

NATURAL GAS MODELS

- Locate the gas pressure test point, on the underside of the heater cabinet. Remove the screw and washer and connect a manometer.
- Ensure the heater is upright.
- Start the heater and run with all burners on.
- Adjust gas regulator according to the data label.
- Switch off both burners, remove the manometer and replace the pressure test point screw and washer.

PROPANE MODELS

- Locate the gas pressure test point, on the underside of the heater cabinet. Remove the screw and washer and connect a manometer.



- Ensure the heater is upright.
- Start the heater and run with all burners on.
- For Propane heaters, pressure adjustment is not provided on the heater and must be done at the supply pressure reducing valve.
- Switch off both burners, remove the manometer and replace the pressure test point screw and washer.

ACCESS TO INTERNAL COMPONENTS

- Remove both trolley feet by unscrewing securing screws.
- Remove end caps (as required) by unscrewing top and bottom fixing screws and sliding away from the heater.
- To gain access to the burners and pilot remove the lower front panel, reflector assembly and upper front panels by unscrewing the fixing screws.

REMOVING COMPONENTS

- GAS CONTROL AND PIPEWORK

Disconnect gas supply from the heater and remove brass inlet elbow on the underside of the heater. Unscrew 3 adjacent screws and the screw adjacent to test point. Remove the injectors, pilot mounting screws, valve mounting screws and control rod before manoeuvring gas control and pipework out of the heater. If a valve is to be replaced unscrew fittings and fit new replacement valve.

- BURNER

Remove gas control and pipework, then the burner assembly by unscrewing 6 fixing screws.

- THERMOCOUPLE ASSEMBLY

To remove - loosen lower nut and unscrew top nut on the thermocouple, then remove from the pilot bracket. Unscrew the thermocouple from the bottom of the gas control, and remove the tilt switch (adjacent to gas control) and over-temperature switch (located on upper fan duct).

- FAN

Ensure heater is isolated from power supply by disconnecting the electrical power plug. Remove top and bottom fixing screws, disconnect fan plug and slide fan out.

- PILOT

This heater is fitted with an oxygen depletion pilot for safety and no attempt should be made to readjust it.